

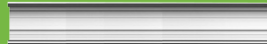
Aluminium cover for sliding door opener



2.1M/



2.4M/



3M/



4M/

Product Description

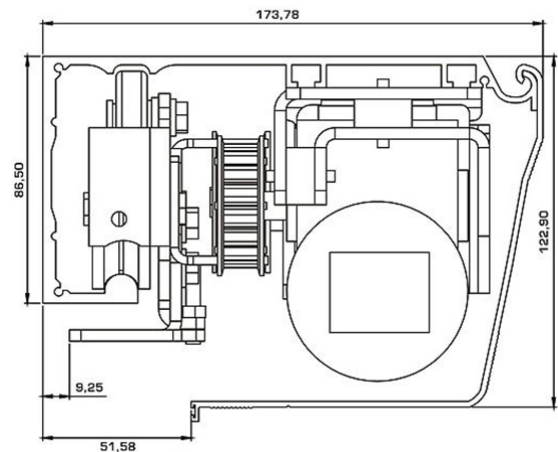
- 1、Luxury 10-12mm thick tempered clear glass
- 2、Advanced fully frameless heavy glass design
- 3、Reversible for left or right door opening installation
- 4、All the hardware is made of high grade stainless steel 304,or 201.
- 5、customized length track is available

What is aluminium cover for sliding door opener?

Automatic door opens when the door controller receives an activation signal by the sensor and activate the gear motor to drive the belt and pulley. When no one is detected inside the activation area, the door starts closing after a designated period of time.

Specifications

Model Number:	Aluminium rail or Cover
Type:	Automatic Door Operators
Material:	Aluminium Base



How do you clean sliding door tracks?

Create a simple cleaning solution using a cup of water with a drop of non-abrasive cleaner. You can then scrub the tracks with an old toothbrush or a wire brush with soft bristles. Wipe down the tracks using a rag or paper towel. To keep your sliding door's smooth operation, clean the tracks at least once a week.